

伸缩臂越野叉车
Telescopic Handlers



HELI
中国合力 提升未来

www.helichina.com

伸缩臂越野叉车 Telescopic Handlers

产品主要性能 Main Performance Table of Telescopic Handlers

产品型号 Model		35H77-116S-DE/P1				35H112-150S-DE/P1		40H88-128S-DE/P1		40H130-170S-DE/P1			
		35H46-84-DE/P1	35H77-113-DE/P1	40H51-90-DE/P1	40H88-125-DE/P1	前支腿支撑 With stabilizers extended	前支腿抬起 With stabilizers retracted	前支腿支撑 With stabilizers extended	前支腿抬起 With stabilizers retracted	前支腿支撑 With stabilizers extended	前支腿抬起 With stabilizers retracted		
最大负载 Max. load capacity	kg	3500	3500	4000	4000	3500	3500	3500	3500	4000	4000	4000	4000
最远前伸距离 Max. forward reach	m	4.6	7.7	5.1	8.8	7.6	7.7	11.2	6.9	8.8	8.8	13	8.7
最远时负载 Lift capacity at max. reach	kg	1100	400	1000	400	1200	400	800	400	1500	400	700	250
最大提升高度 Max. lift height	m	8.4	11.3	9	12.5	11.6	11.3	15	14	12.8	12.5	17	16
最高时负载 Lift capacity at max. height	kg	3000	3000	3500	2500	3500	3000	2500	1500	3500	2500	2500	1000
臂节数 No. of Booms		2	3	2	3	3	3	4	4	3	3	4	4
最大行驶速度 Max. speed	km/h	35	35	35	35	35	35	35	35	35	35	35	35

标准配置 Standard equipment

静液行走系统, 四轮驱动, 高效节能, 实现自动行驶和防憋车控制, 合理分配工作行走功率
Hydrostatic drive train system, 4WD, high traction and efficiency, automatic drive and anti stall control (DA control), power distributed between implement and drive train system.

流量共享工作系统, 允许复合动作, 电液比例控制, 准确平稳
Flow sharing (LUDV) control implement system, parallel movement and electrical-hydraulic proportional control, realizing operation stably

多功能智能控制手柄, 控制车辆驾驶与货物叉装, 货叉调平
Multifunctional joystick, which controls the driving of vehicle, cargo loading/unloading and fork leveling

可选配道依茨发动机 (欧四排放标准)、帕金斯发动机 (国三排放标准)
Optional engine: DEUTZ engine (EU Stage IV emission standard), Perkins engine (National III emission standard)

三种转向模式: 前轮转向、四轮转向和蟹行 (横向移动)
Three steering modes: 2WS: two-wheel steering. 4WS-A: four-wheel steering (turn). 4WS-B: four-wheel steering (crab).

负载力矩状态实时显示
Real-time display of load and torque

超载自动紧急停止功能
Automatic emergency stop when overload

货叉自动调平
Automatic leveling of fork

感应司机是否在位座椅
Operator detecting safety function

属具 Attachments

可调式高空作业平台	Extendible platform
固定式高空作业平台	Fixed platform
固定式起吊直臂架	Straight crane jib
自升降起吊直臂架	Straight crane jib with winch
固定式起吊弯臂架	Angle crane jib
自升降起吊弯臂架	Angle crane jib with winch
铲斗	Loading bucket

发动机参数 Engine

生产厂家 Manufacturer	德国道依茨公司 DEUTZ AG (DE)	无锡帕金斯 Perkins (P1)
发动机型号 Model	TCD3.6L4	1104D-E44TA
额定功率/转速 Rated Power/speed	90kW/2200r/min	87kW/2200r/min
最大扭矩/转速 Max. torque/speed	480N·m/1400 r/min	516N·m/1400 r/min
总排量 Total Displacement	3.621L	4.4L
气缸数量 No. of cylinders	4	4
怠速 Low idle	1000 r/min	850 r/min
排放标准 Exhaust emission standard	EU Stage IV	EU IIIB/国三

35H46-84-DE/P1

伸缩臂越野叉车
Telescopic Handlers

最大负载: 3500kg
最远前伸距离: 4.6m
最大提升高度: 8.4m

Max. load capacity: 3500kg
Max. forward reach: 4.6m
Max. lift height: 8.4m

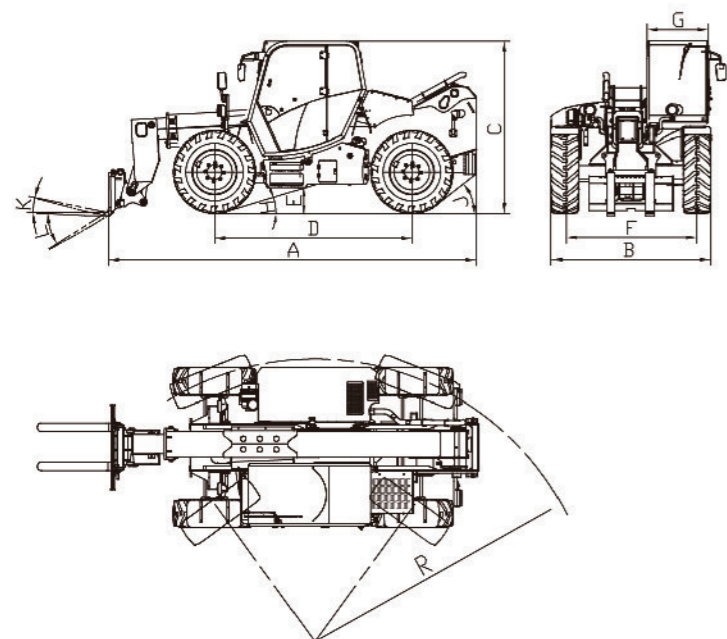
尺寸 Dimension

A 长度	Overall length	5.47 m
B 宽度	Overall width	2.4 m
C 高度	Overall height	2.61 m
D 轴距	Wheel base	3 m
E 底座离地间隙	Ground clearance	0.36 m
F 轮距	Front track	1.99 m
G 驾驶室外部宽度	Outside width of cab	0.94 m
H 纵向通过角度	Vehicle passing angle	19°
J 车辆离去角度	Vehicle departure angle	38°
K 货叉向上倾角	Tilt angle of fork	12°
L 货叉向下倾角	Tilt angle of fork	110°
R 转弯半径(外侧)	Turning radius(outside)	4.3 m

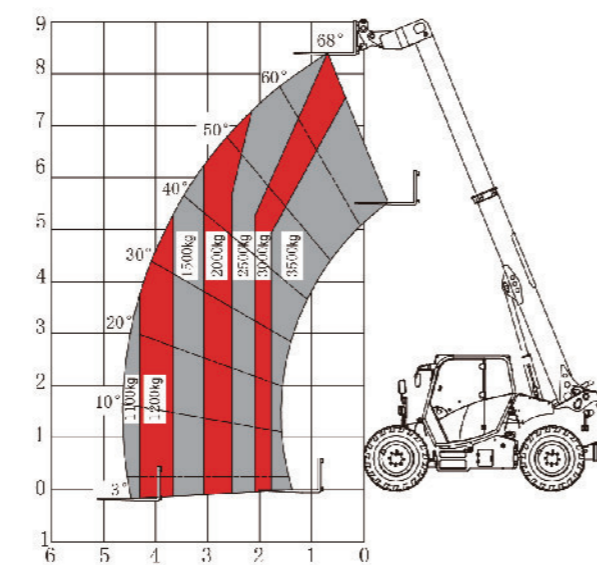
可选属具 Optional attachments

固定式起吊直臂	Straight crane jib
自升降起吊直臂	Straight crane jib with winch
固定式起吊弯臂	Angle crane jib
自升降起吊弯臂	Angle crane jib with winch
铲斗	Loading bucket

35H46-84-DE/P1 尺寸参数 Dimension



35H46-84-DE/P1 载荷曲线图 Lifting diagram



35H77-113-DE/P1

伸缩臂越野叉车
Telescopic Handlers

最大负载: 3500kg
最远前伸距离: 7.7m
最大提升高度: 11.3m

Max. load capacity: 3500kg
Max. forward reach: 7.7m
Max. lift height: 11.3m

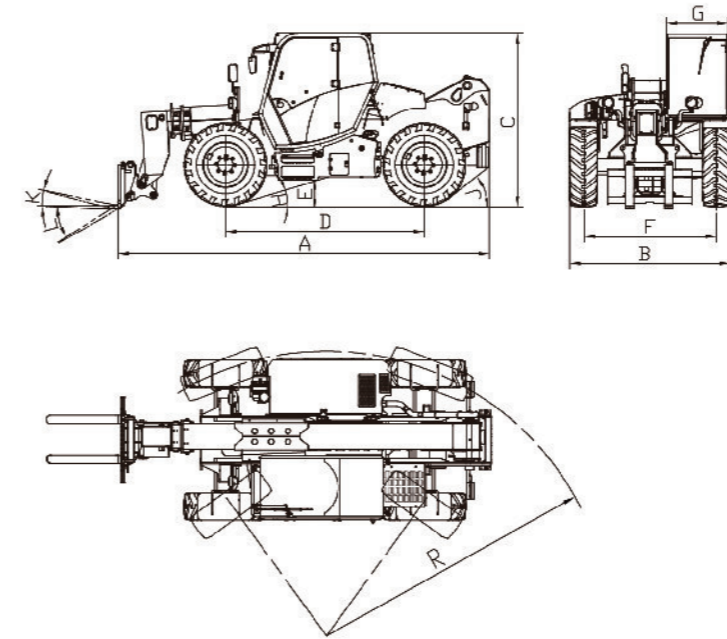
尺寸 Dimension

A 长度	Overall length	5.52 m
B 宽度	Overall width	2.4 m
C 高度	Overall height	2.61 m
D 轴距	Wheel base	3 m
E 底座离地间隙	Ground clearance	0.36 m
F 轮距	Front track	1.99 m
G 驾驶室外部宽度	Outside width of cab	0.94 m
H 纵向通过角度	Vehicle passing angle	19°
J 车辆离去角度	Vehicle departure angle	38°
K 货叉向上倾角	Tilt angle of fork	12°
L 货叉向下倾角	Tilt angle of fork	110°
R 转弯半径(外侧)	Turning radius(outside)	4.3 m

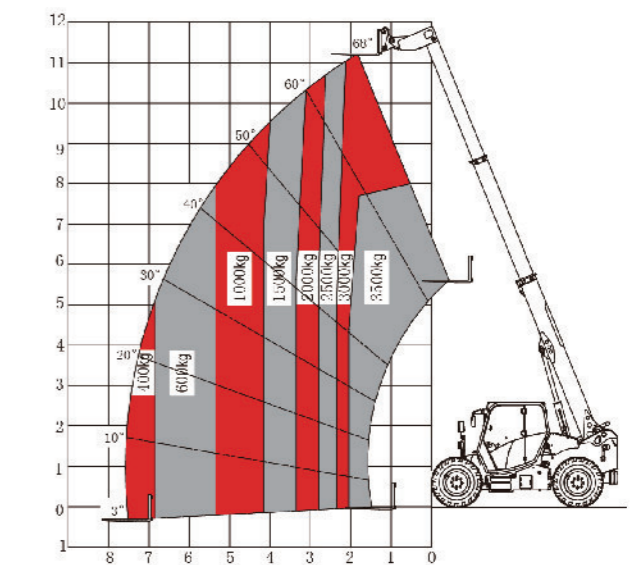
可选属具 Optional attachments

固定式起吊直臂	Straight crane jib
自升降起吊直臂	Straight crane jib with winch
固定式起吊弯臂	Angle crane jib
自升降起吊弯臂	Angle crane jib with winch
铲斗	Loading bucket

35H77-113-DE/P1 尺寸参数 Dimension



35H77-113-DE/P1 载荷曲线图 Lifting diagram



40H51-90-DE/P1

伸缩臂越野叉车
Telescopic Handlers

最大负载: 4000kg
最远前伸距离: 5.1m
最大提升高度: 9m

Max. load capacity: 4000kg
Max. forward reach: 5.1m
Max. lift height: 9m

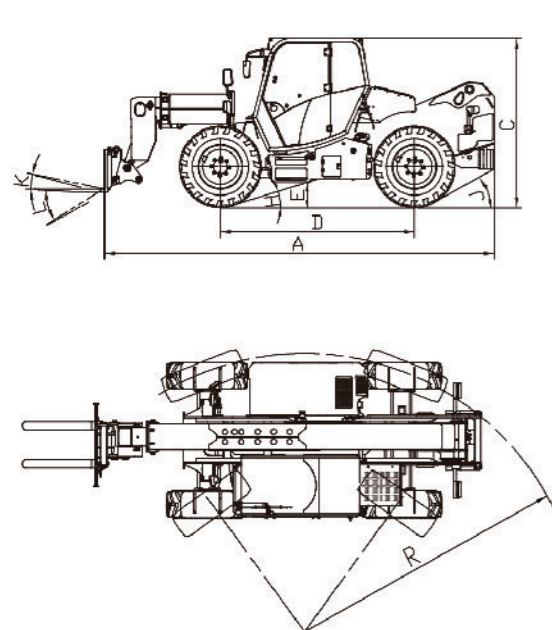
尺寸 Dimension

A 长度	Overall length	5.90 m
B 宽度	Overall width	2.4 m
C 高度	Overall height	2.61 m
D 轴距	Wheel base	3 m
E 底座离地间隙	Ground clearance	0.36 m
F 轮距	Front track	1.99 m
G 驾驶室外部宽度	Outside width of cab	0.94 m
H 纵向通过角度	Vehicle passing angle	19°
J 车辆离去角度	Vehicle departure angle	29°
K 货叉向上倾角	Tilt angel of fork	12°
L 货叉向下倾角	Tilt angel of fork	110°
R 转弯半径(外侧)	Turning radius(outside)	4.3 m

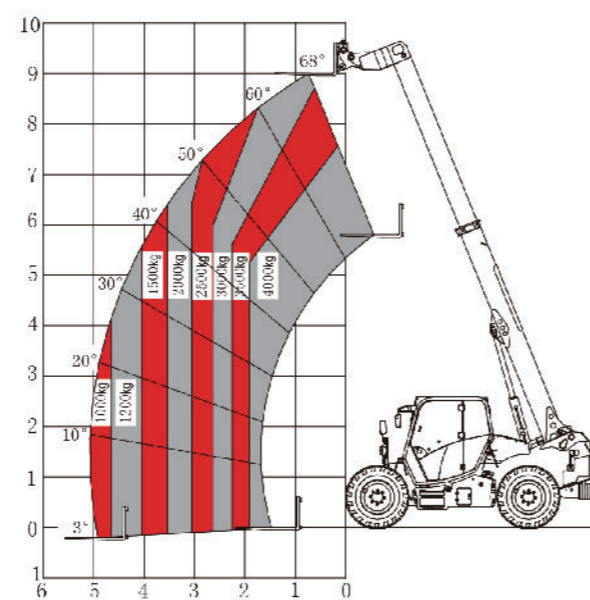
可选属具 Optional attachments

固定式起吊直臂	Straight crane jib
自升降起吊直臂	Straight crane jib with winch
固定式起吊弯臂	Angle crane jib
自升降起吊弯臂	Angle crane jib with winch
铲斗	Loading bucket

40H51-90-DE/P1 尺寸参数 Dimension



40H51-90-DE/P1 载荷曲线图 Lifting diagram



40H88-125-DE/P1

伸缩臂越野叉车
Telescopic Handlers

最大负载: 4000kg
最远前伸距离: 8.8m
最大提升高度: 12.5m

Max. load capacity: 4000kg
Max. forward reach: 8.8m
Max. lift height: 12.5m

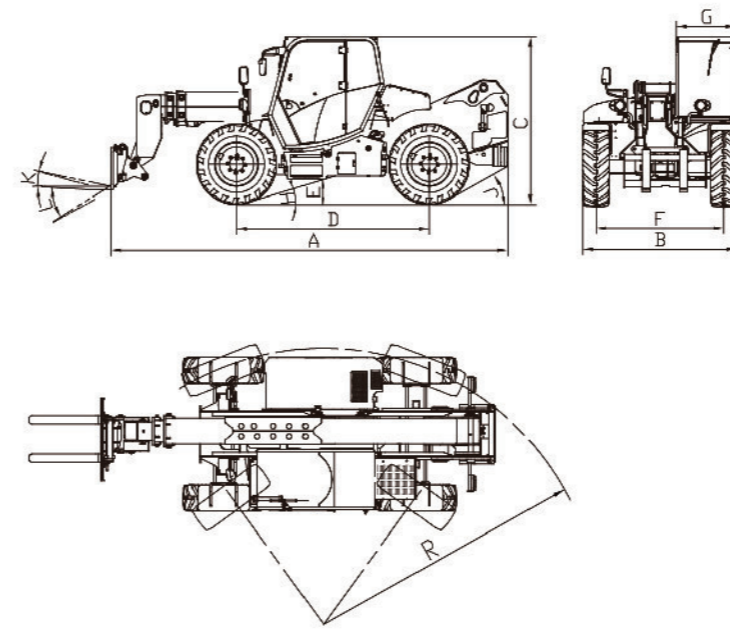
尺寸 Dimension

A 长度	Overall length	6.15 m
B 宽度	Overall width	2.4 m
C 高度	Overall height	2.61 m
D 轴距	Wheel base	3 m
E 底座离地间隙	Ground clearance	0.36 m
F 轮距	Front track	1.99 m
G 驾驶室外部宽度	Outside width of cab	0.94 m
H 纵向通过角度	Vehicle passing angle	19°
J 车辆离去角度	Vehicle departure angle	29°
K 货叉向上倾角	Tilt angel of fork	12°
L 货叉向下倾角	Tilt angel of fork	110°
R 转弯半径(外侧)	Turning radius(outside)	4.3 m

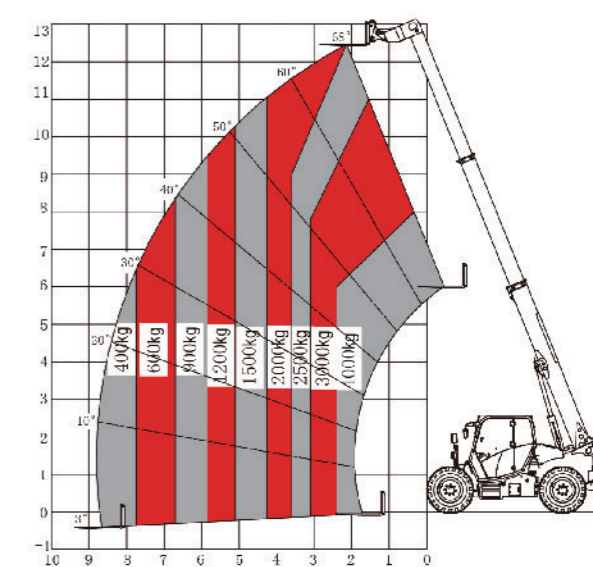
可选属具 Optional attachments

固定式起吊直臂	Straight crane jib
自升降起吊直臂	Straight crane jib with winch
固定式起吊弯臂	Angle crane jib
自升降起吊弯臂	Angle crane jib with winch
铲斗	Loading bucket

40H88-125-DE/P1 尺寸参数 Dimension



40H88-125-DE/P1 载荷曲线图 Lifting diagram



35H77-116S-DE/P1

伸缩臂越野叉车
Telescopic Handlers

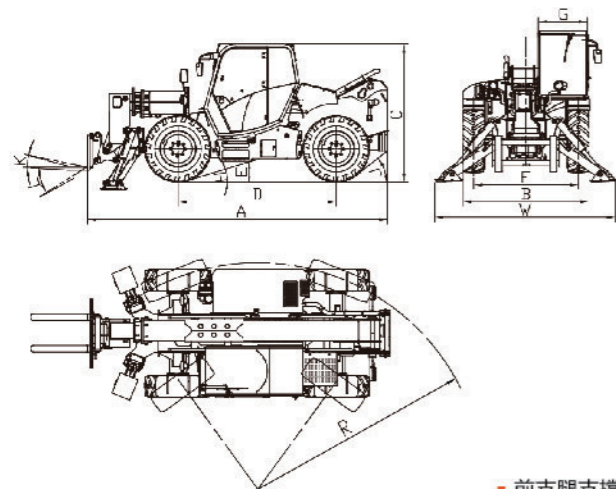
最大负载: 3500kg
最远前伸距离: 7.7m
最大提升高度: 11.6m

Max. load capacity: 3500kg
Max. forward reach: 7.7m
Max. lift height: 11.6m

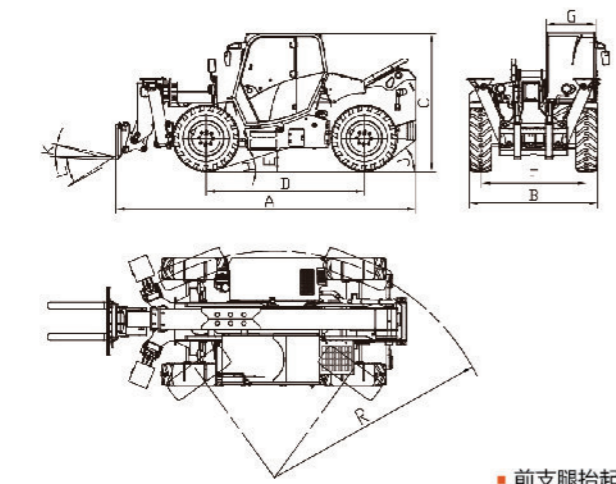
尺寸 Dimension

A 长度 Overall length	5.52m
B 宽度 Overall width	2.4m
C 高度 Overall height	2.61m
D 轴距 Wheel base	3m
E 底座离地间隙 Ground clearance	0.36m
F 轮距 Front track	1.99m
G 驾驶室外部宽度 Outside width of cab	0.94m
H 纵向通过角度 Vehicle passing angle	19°
J 车辆离去角度 Vehicle departure angle	38°
K 货叉向上倾角 Tilt angel of fork	12°
L 货叉向下倾角 Tilt angel of fork	110°
R 转弯半径(外侧) Turning radius(outside)	4.3m

35H77-116S-DE/P1 尺寸参数 Lifting diagram



前支腿支撑

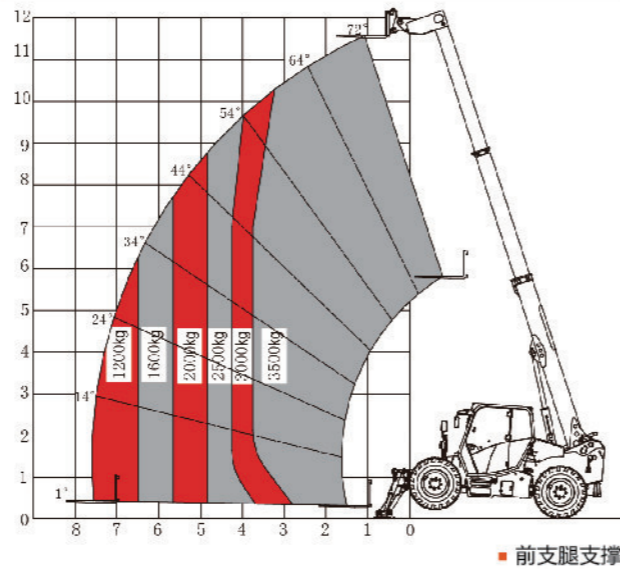


前支腿抬起

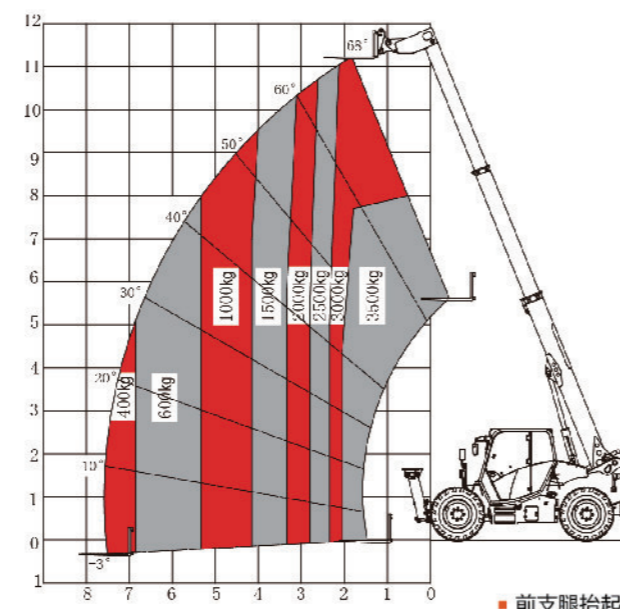
可选属具 Optional attachments

- 可调式高空作业平台 Extendible platform
- 固定式高空作业平台 Fixed platform
- 固定式起吊直臂 Straight crane jib
- 自升降起吊直臂 Straight crane jib with winch
- 固定式起吊弯臂 Angle crane jib
- 自升降起吊弯臂 Angle crane jib with winch
- 铲斗 Loading bucket

35H77-116S-DE/P1 载荷曲线图 Dimension



前支腿支撑



前支腿抬起

35H112-150S-DE/P1

伸缩臂越野叉车
Telescopic Handlers

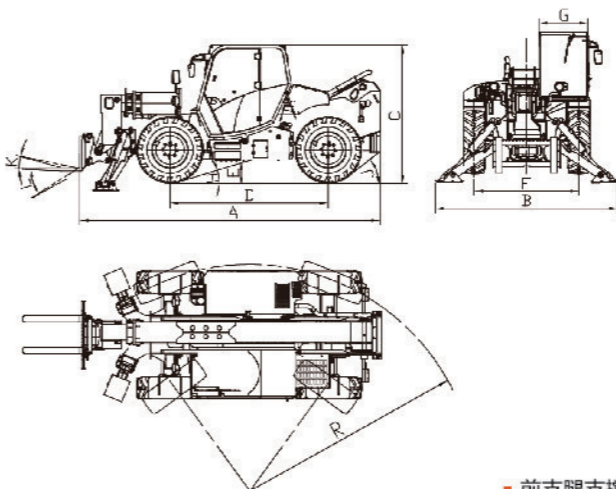
最大负载: 3500kg
最远前伸距离: 11.2m
最大提升高度: 15m

Max. load capacity: 3500kg
Max. forward reach: 11.2m
Max. lift height: 15m

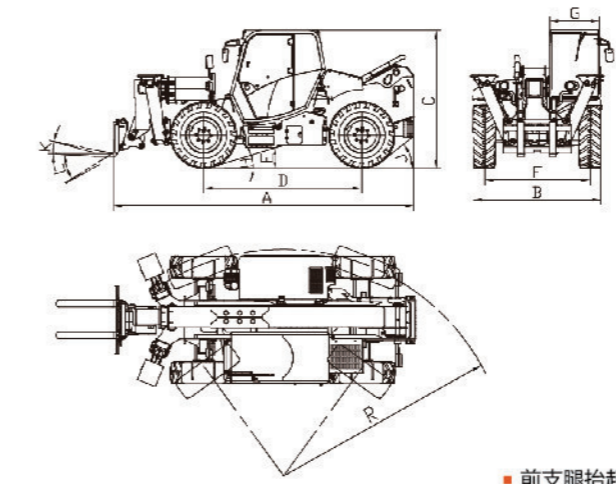
尺寸 Dimension

A 长度 Overall length	6.02 m
B 宽度 Overall width	2.4 m
C 高度 Overall height	2.61 m
D 轴距 Wheel base	3 m
E 底座离地间隙 Ground clearance	0.36 m
F 轮距 Front track	1.99 m
G 驾驶室外部宽度 Outside width of cab	0.94 m
H 纵向通过角度 Vehicle passing angle	19°
J 车辆离去角度 Vehicle departure angle	38°
K 货叉向上倾角 Tilt angel of fork	12°
L 货叉向下倾角 Tilt angel of fork	110°
R 转弯半径(外侧) Turning radius(outside)	4.3 m

35H112-150S-DE/P1 尺寸参数 Dimension



前支腿支撑

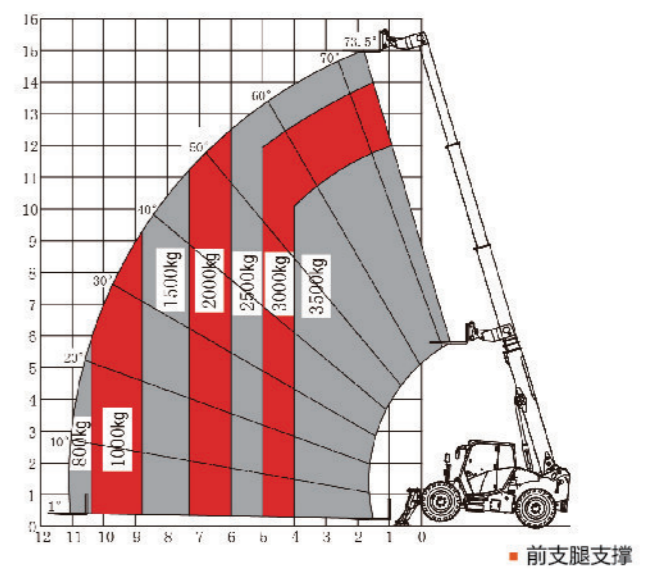


前支腿抬起

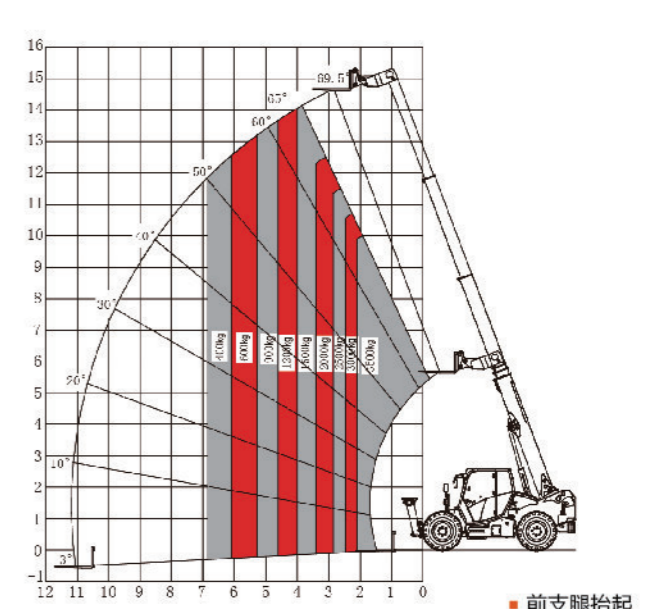
可选属具 Optional attachments

- 可调式高空作业平台 Extendible platform
- 固定式高空作业平台 Fixed platform
- 固定式起吊直臂 Straight crane jib
- 自升降起吊直臂 Straight crane jib with winch
- 固定式起吊弯臂 Angle crane jib
- 自升降起吊弯臂 Angle crane jib with winch
- 铲斗 Loading bucket

35H112-150S-DE/P1 载荷曲线图 Lifting diagram



前支腿支撑



前支腿抬起

40H88-128S-DE/P1

伸缩臂越野叉车
Telescopic Handlers

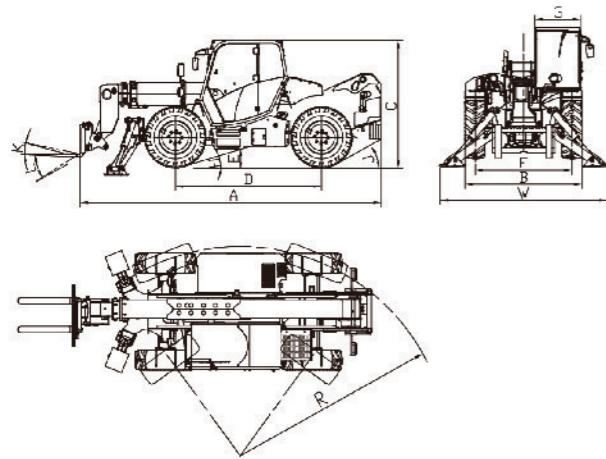
最大负载: 4000kg
最远前伸距离: 8.8m
最大提升高度: 12.8m

Max. load capacity: 4000kg
Max. forward reach: 8.8m
Max. lift height: 12.8m

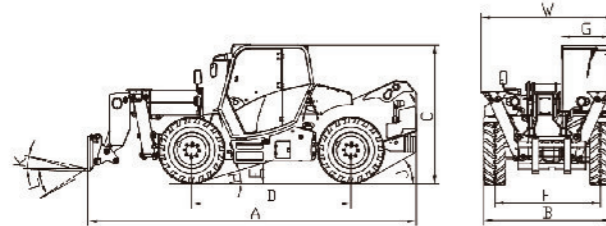
尺寸 Dimension

A 长度 Overall length	6.15 m
B 宽度 Overall width	2.4 m
C 高度 Overall height	2.61 m
D 轴距 Wheel base	3 m
E 底座离地间隙 Ground clearance	0.36 m
F 轮距 Front track	1.99 m
G 驾驶室外部宽度 Outside width of cab	0.94 m
H 纵向通过角度 Vehicle passing angle	19°
J 车辆离去角度 Vehicle departure angle	29°
K 货叉向上倾角 Tilt angel of fork	12°
L 货叉向下倾角 Tilt angel of fork	110°
R 转弯半径(外侧) Turning radius(outside)	4.3 m

40H88-128S-DE/P1 尺寸参数 Dimension



前支腿支撑

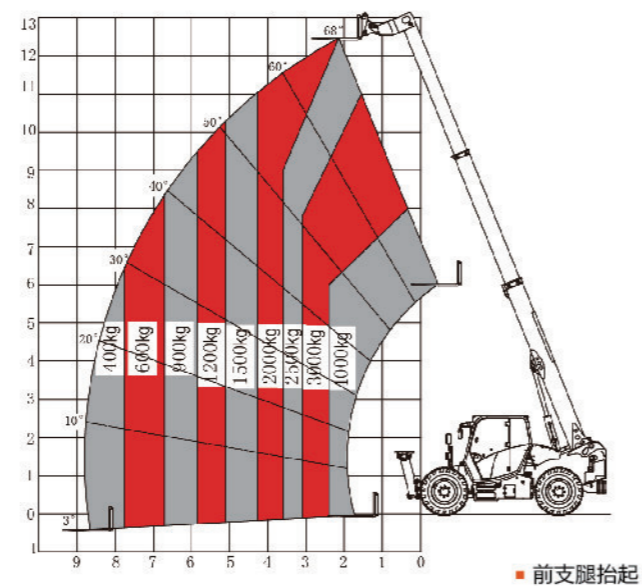
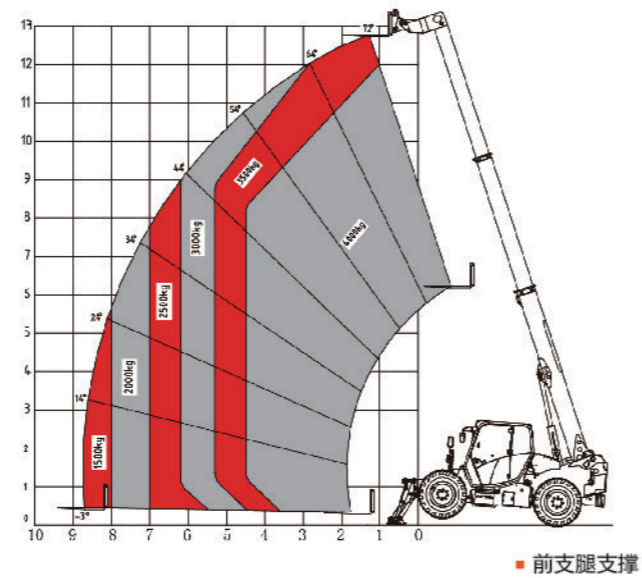


前支腿抬起

可选属具 Optional attachments

- 可调式高空作业平台 Extendible platform
- 固定式高空作业平台 Fixed platform
- 固定式起吊直臂 Straight crane jib
- 自升降起吊直臂 Straight crane jib with winch
- 固定式起吊弯臂 Angle crane jib
- 自升降起吊弯臂 Angle crane jib with winch
- 铲斗 Loading bucket

40H88-128S-DE/P1 载荷曲线图 Lifting diagram



40H130-170S-DE/P1

伸缩臂越野叉车
Telescopic Handlers

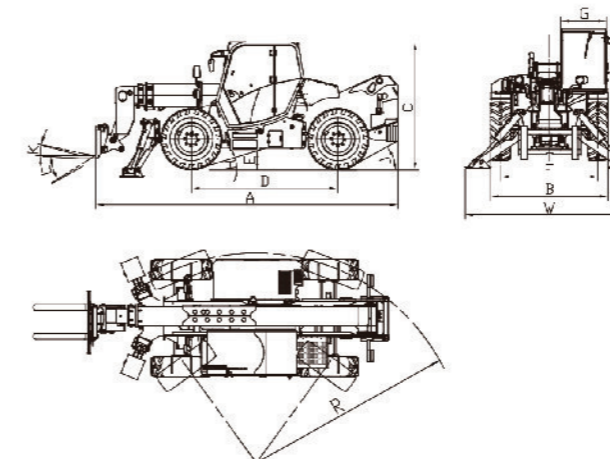
最大负载: 4000kg
最远前伸距离: 13m
最大提升高度: 17m

Max. load capacity: 4000kg
Max. forward reach: 13m
Max. lift height: 17m

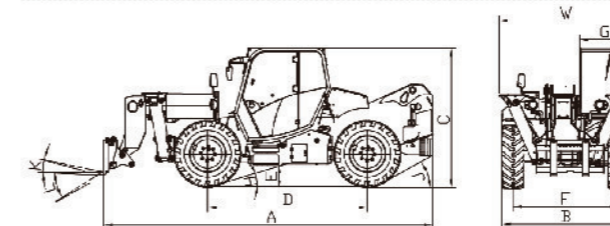
尺寸 Dimension

A 长度 Overall length	6.22 m
B 宽度 Overall width	2.4 m
C 高度 Overall height	2.61 m
D 轴距 Wheel base	3 m
E 底座离地间隙 Ground clearance	0.36 m
F 轮距 Front track	1.99 m
G 驾驶室外部宽度 Outside width of cab	0.94 m
H 纵向通过角度 Vehicle passing angle	19°
J 车辆离去角度 Vehicle departure angle	29°
K 货叉向上倾角 Tilt angel of fork	12°
L 货叉向下倾角 Tilt angel of fork	110°
R 转弯半径(外侧) Turning radius(outside)	4.3 m

40H130-170S-DE/P1 尺寸参数 Dimension



前支腿支撑

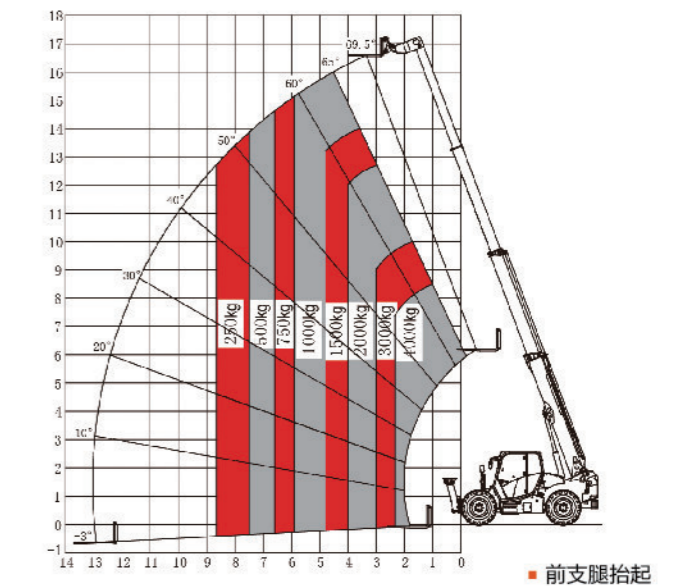
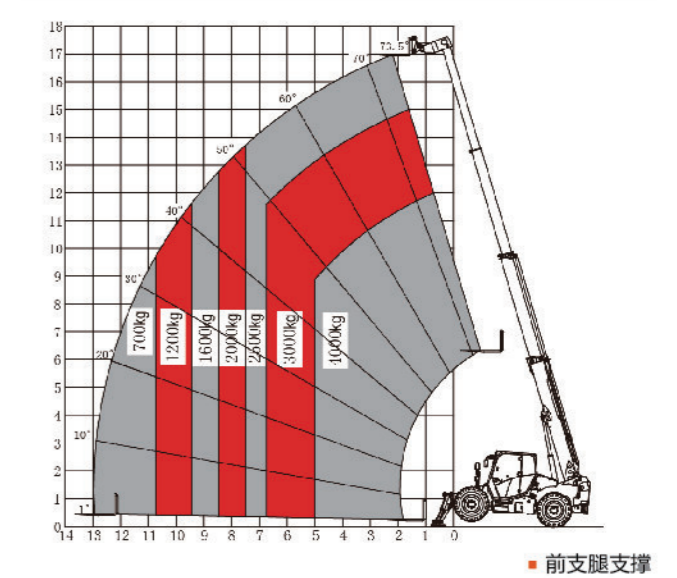


前支腿抬起

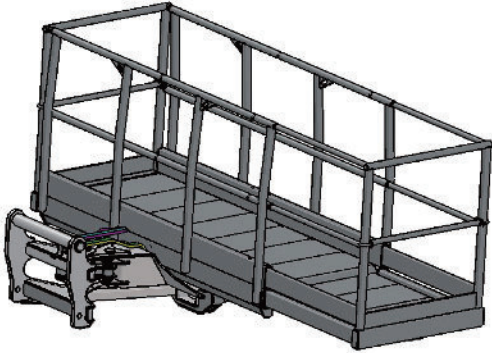
可选属具 Optional attachments

- 可调式高空作业平台 Extendible platform
- 固定式高空作业平台 Fixed platform
- 固定式起吊直臂 Straight crane jib
- 自升降起吊直臂 Straight crane jib with winch
- 固定式起吊弯臂 Angle crane jib
- 自升降起吊弯臂 Angle crane jib with winch
- 铲斗 Loading bucket

40H130-170S-DE/P1 载荷曲线图 Lifting diagram



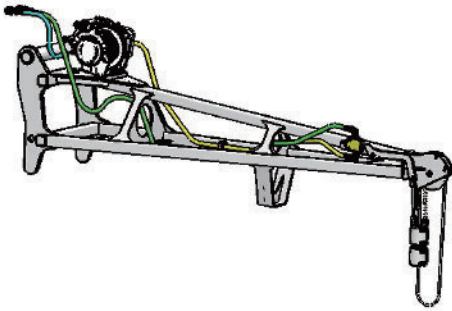
选配属具 Optional attachments



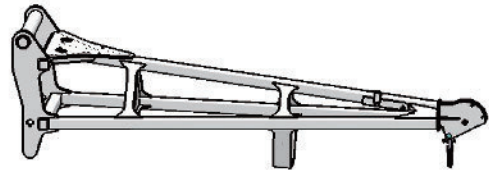
可调式高空作业平台
Extendible platform



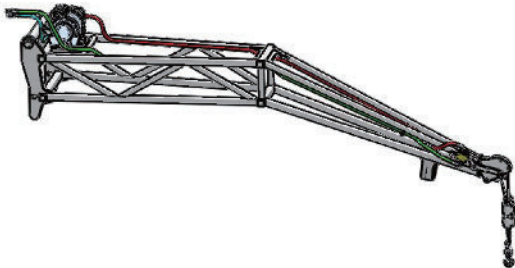
固定式高空作业平台
Fixed platform



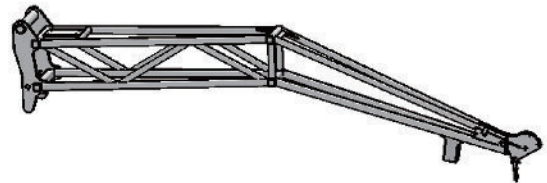
自升降起吊直臂
Straight crane jib with winch



固定式起吊直臂
Straight crane jib



自升降起吊弯臂
Angle crane jib with winch



固定式起吊弯臂
Angle crane jib

