



**1-3.5 ton
ENGINE POWERED
FORKLIFT**

STANDARD EQUIPMENT

- Hour meter
- Horn
- Oil pressure alarm
- Three-spool control valve
- Power steering
- Rubber pedal pad
- Backrest
- Back view mirror
- Front combined lights
- Transmission oil filter
- Engine flameout device
- Parking brake cable
- Water temperature meter
- Attached tools
- Rear combined lights
- Reversing buzzer
- Self-locking tilt valve
- Tilt adjustable steering column
- Power brake(2-3.5t)
- Overhead guard
- Standard forks
- Neutral switch
- Hydraulic circuit oil filter
- Radiator tank
- Speed-limiting valve
- Oil meter
- Battery-charge indicator
- Wide-view mast
- Intake device
- Durable tire
- Operating handles
- Traction pin
- Standard seat
- Hydraulic oil gauge
- Overhead guard raincoat
- Torque converter oil gauge
- Combined display
- Central control box

OPTIONS

- Cab
- Rotating warning light
- Vertical exhaust
- Double air filter
- Suspension seat
- Extended fork sleeve
- Heater
- Solid tire
- Widening fork carriage
- Windglass
- Purifying muffler
- Fire muffler
- Fire extinguisher
- Rear lights
- Air conditioning (some models)
- Electro-hydraulic switch
- OPS driving control
- Torque converter oil temperature meter
- Tilt cylinder sleeve
- Steering cylinder sleeve
- User-specified color
- Optional attachments
- Dual tires and protective devices
- LPG with the flip seat
- LPG single and dual-fuel system
- Side shifter
- Steel protective fences



ANHUI HELI CO., LTD.
 NO.668 Fangxing Street, Economical Development Zone,
 Hefei, P.R.China
 TEL: (86 551) 63639068, 63639258, 63639358, 63662105
 FAX: (86 551) 63639966
 WEBSITE: <http://www.helichina.net>

AUTHORIZED DEALER

* Details of specifications and equipment are based on information available at the time of printing and may change without notice.

**1-3.5 ton
ENGINE POWERED
FORKLIFT**



G series / INTELLIGENT
ENVIRONMENT-FRIENDLY



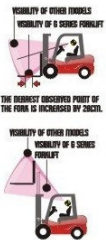
ENGINE POWERED
FORKLIFT

1-3.5 ton

G series

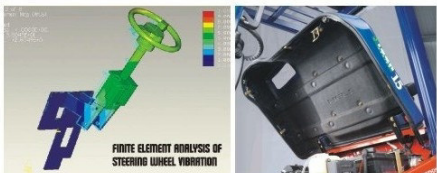
Reliable forklift

A reliable mast



The impact and vibration of mast are reduced significantly by using buffer device. Through finite element analysis plus optimizing the structural parameters, the vibration acceleration is reduced by 40%.

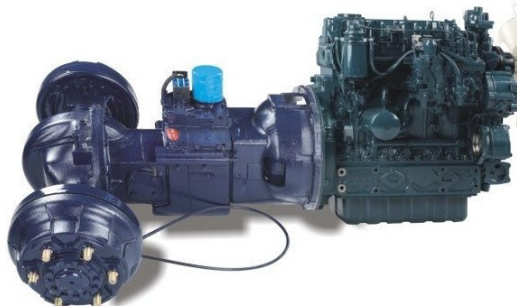
More scientific and environmental design



Equipped with high-quality engine, the emission meets the latest European EC and the EPA environmental regulation. The use of Non-asbestos insulation equipment is very effective to lower down the noise.

The innovative design and optimized configuration of the lifting system improve the operators' visibility greatly, and provide a clear and accessible focus of vision to ensure the safety & efficiency of operating.

More powerful



G series forklifts greatly enhance various aspects of key performances particularly in power performance through reducing the losses of engine torque nearly twice as before.

↑ 8.2%
THE MAXIMUM LIFTING
SPEED IS INCREASED

↑ 3%
THE GRADEABILITY IS
INCREASED

↓ 2%
THE FUEL CONSUMPTION
IS REDUCED

↑ 9%
THE MAXIMUM DRAW-
BAR PULL IS INCREASED



Profiled steel for overhead guard

As the first forklift producer to use profiled steel for overhead guard in China, our G series forklift is available with embedded cabin doors to ensure more safety and seal performance.

Greatly enhanced frame strength

G Series forklifts have much stronger frame structure, while its structural strength meets the ANS/ITSDFB56.1 (American National Regulation) requirements.



More comfortable ergonomic design



Through optimum design of the hood and tilt cylinder, the space for driver's leg is twice wider than other models, the bigger footplate make the operators to get on and off with ease. Such capacious space ensures the operating more comfortable.



The sedan-type display and double-handle combined F/R direction switch to ensure more convenient and smooth operation.

Labor-saving mini-type steering wheel. Suspension seat with armrests, seat belts. Safe and comfortable.

Excellent safety performance



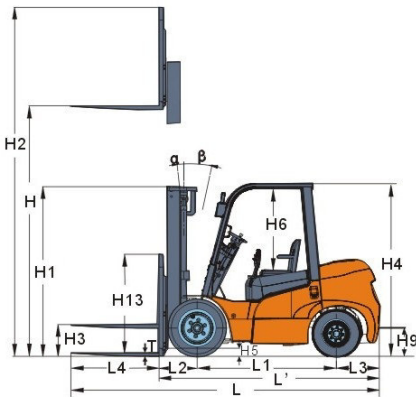
ENGINE POWERED
FORKLIFT

1-3.5 ton

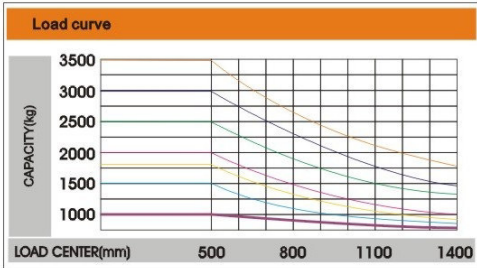
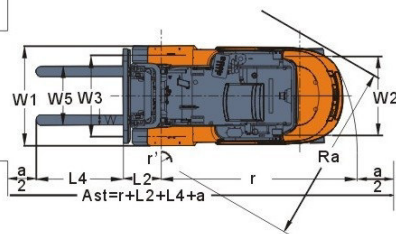


Manufacturers Data and Design Characteristics

Characteristics																																		
1 Manufacturer		HELI																																
2 Model		CPCD10	CPCD15	CPCD18	CPCD20	CPCD25	CPCD30	CPCD35	CPQ(Y)D10	CPQ(Y)D15	CPQ(Y)D18	CPQ(Y)D20	CPQ(Y)D25	CPQ(Y)D30	CPQ(Y)D35																			
3 Power unit		Diesel						Gasoline / LPG / Dual fuel																										
4 Rated Capacity		kg	1000	1500	1750	2000	2500	3000	3500	1000	1500	1750	2000	2500	3000	3500																		
5 Load Center		mm	500						500																									
6 Operation		Seated																																
Dimensions																																		
7 Overall max.lifting height (with backrest)		H2	mm	4039	4039	4039	4039		4217	4217	4039	4039		4039	4217	4217																		
8 Max.Lifting height		H	mm	3000			3000			3000			3000																					
9 Height mast retracted(upright)		H1	mm	1995	1995	1995	2000	2000	2070	2180	1995	1995	1995	2000	2000	2070	2180																	
10 Free lift height		H3	mm	152	155	155	140	140	145	150	152	155	155	140	140	145	150																	
11 Backrest height(from upper face of forks)		H13	mm	1017	1014	1014	1004		1182	1177	1017	1014	1014	1004		1182	1177																	
12 Overhead Guard clearance(from face of seat)		H6	mm	1030	1030	1030	1035			1030	1030	1030	1035																					
13 Overall height(overhead guard)		H4	mm	2140	2140	2140	2140	2140	2170	2170	2140	2140	2140	2140	2140	2170	2170																	
14 Overall length(with forks)		L	mm	2936	3150	3193	3430	3650	3770	3840	2936	3150	3193	3430	3650	3770	3840																	
15 Overall length(without forks)		L'	mm	2166	2230	2273	2510	2580	2700	2770	2166	2230	2273	2510	2580	2700	2770																	
16 Front overhang		L2	mm	410	413	413	475	475	480	485	410	413	413	475	475	480	485																	
17 Rear overhang		L3	mm	355	415	455	440	510	525	585	355	415	455	440	510	525	585																	
18 Wheel base		L1	mm	1410	1410	1410	1600	1600	1700	1700	1410	1410	1410	1600	1600	1700	1700																	
19 Coupler height		H9	mm	250	250	250	245	245	250	250	250	250	250	245	245	250	250																	
20 Min.ground clearance under mast		H5	mm	110	110	110	110	110	135	135	110	110	110	110	110	135	135																	
21 Overall width		W1	mm	1075	1075	1090	1150	1150	1225	1285	1075	1075	1090	1150	1150	1225	1285																	
22 Lateral fork adjustment outside of fork(Max./Min.)		W5	mm	950/200		1024/200		1024/200		1060/250		1060/250		950/200		1024/200		1024/200		1060/250														
23 Tread(front)		W3	mm	900	900	930	970	970	1000	1000	900	900	930	970	970	1000	1060																	
24 Tread(rear)		W2	mm	930	930	930	970	970	970	970	930	930	930	970	970	970	970																	
25 Outside turning radius		r	mm	1870	1950	1980	2170	2240	2400	2420	1870	1950	1980	2170	2240	2400	2420																	
26 Inside turning radius		r'	mm	110	110	95	160	160	200	200	110	110	95	160	160	200	200																	
27 Min.intersecting aisle		Ra	mm	1945	2025	2055	2200	2280	2380	2400	1945	2025	2055	2200	2280	2380	2400																	
28 Tilting angles(forward/backward)		α/β		5° /10°						6° /12°			5° /10°						6° /12°															
29 Fork dimensions		L4xWxT	mm	770×100×32	920×100×35	920×100×35	920×122×40	1070×122×40	1070×125×45	1070×125×50	770×100×32	920×100×35	920×100×35	920×122×40	1070×122×40	1070×125×45	1070×125×50																	
Performance																																		
30 Max. Traveling speeds(With/Without load)		km/h	17/18			17/19			18/19			19/19			17/18			17/19			18/19			19/19										
31 Lifting Speeds(With/Without load)		mm/s	590/650			550/600			500/550			450/480			590/650			550/600			500/550			450/480										
32 Lowering Speeds(With/Without load)		mm/s	450/550			450			450			450/550			450			450			450			450										
33 Max. Draw-bar pull,(With/Without load)		kN	17.8/6.9			17/8.33			17/8.88			16/9.8			14.2/6.9			16.4/8.3			14.5/9.8			16.5/9.8										
34 Max. Negotiable Gradient(With/Without load)		%	42/25	40/19	36/18	28/20	25/18	23/20	22/20	37/22	27/18	24/17	26/20	24/18	23/20	20/18																		
Weights																																		
35 Service Mass		kg	2300	2760	2970	3480	3800	4400	5000	2300	2760	2970	3480	3800	4400	5000																		
36 Load Wheel with load(Front/Rear)		kg	2900/400	3705/555	4060/660	4878/602	5607/693	6500/900	7600/900	2900/400	3705/555	4060/660	4878/602	5607/693	6500/900	7600/900																		
37 Load Wheel without load(Front/Rear)		kg	1040/1260	1187/1573	1145/1825	1392/2088	1520/2280	1760/2640	2000/3000	1040/1260	1187/1573	1145/1825	1392/2088	1520/2280	1760/2640	2000/3000																		
Tyres																																		
38 Wheels number front/rear(x=drive)		2X/2				2X/2				2X/2				2X/2																				
39 Tyre Type		Pneumatic				Pneumatic				Pneumatic				Pneumatic																				
40 Tyre size(front)		6.50-10-10PR				7.00-12-12PR				28×9-15-12PR				28×9-15-14PR																				
41 Tyre size(rear)		5.00-8-8PR				6.00-9-10PR				6.50-10-10PR				6.50-10-10PR																				
42 Service Brake		Hydraulic-Foot Pedal								Hydraulic-Foot Pedal																								
43 Paking Brake		Mechanical-Hand Lever								Mechanical-Hand Lever																								
Drive																																		
44 Battery (Voltage/Capacity)		V/Ah	12/80				12/80				12/60				12/60																			
45 Internal Combustion Engine Model		KUBOTA V2403				KUBOTA V2403				KUBOTA V3600				GCT (NISSAN) K15				GCT (NISSAN) K21				GCT (NISSAN) K25												
46 Internal Combustion Engine Rated Output		kW/rpm	34.1/2400				34.1/2400				46.9/2400				23.6/2400				31.2/2250				37.6/2400											
47 Internal Combustion Engine Rated Torque		Nm/rpm	155.9/1600				155.9/1600				210/1600				103/1600				143.7/1600				176.5/1600											
48 Internal Combustion Engine Number of Cylinder		4-87×102.4				4-87×102.4				4-98×120				4-75.5×83				4-89×83				4-89×100												
49 Internal Combustion Engine Displacement		L	2.434				2.434				3.62				1.468				2.065				2.488											
50 Internal Combustion Engine Fuel Tank Capacity		L	46				66				70				70				46				66				70				70			
51 Transmission type		Power Shift				Power Shift				Power Shift				Power Shift				Power Shift																
52 Transmission Number of Speed Fwd/Bwd		1/1				1/1				1/1				1/1				1/1																

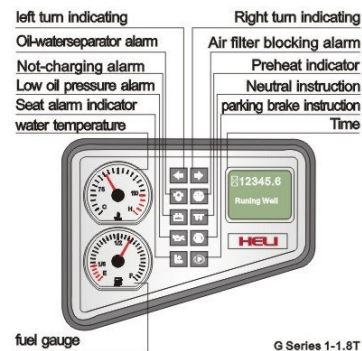
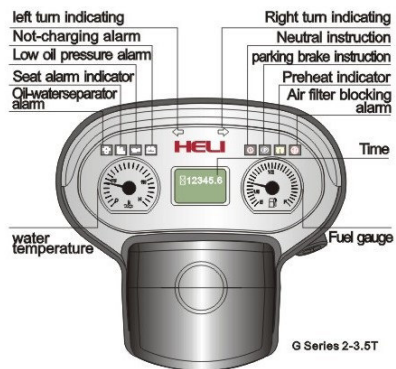


Ast: Aisle width with load
a: Clearance
b: Length Of Loading



CPQD10/CPD10 CPQD15/CPD15 CPQD18/CPD18
CPQD35/CPD35 CPQD30/CPD30 CPQD25/CPD25 CPQD20/CPD20

Note:
Vertical axle stands for load capacity while horizontal axle stands for load center. Load center is the distance counted from the front of the fork. The base point of the standard load is the center point of the cubic with the same 1000mm dimension in length, width and height. The load capacity should be down, if max lifts forward, using non-standard forks or loading goods with extra width. Please notice the different load capacity between different load centers according to load chart.



Engine Model and Main Specification for Option

Internal Combustion Engine Model	Internal Combustion Engine Rate horse power	Internal Combustion Engine Rate torque	Internal Combustion Engine Displacement	Internal Combustion Engine Number of Cylinder	Model
ISUZU4JG2	44.9/2450	184.7/1600-1800	3.05	4	CPCD20-35
ISUZUC240	35.4/2500	139.9/1800	2.369	4	CPD10-30
JMC493	39/2500	165/1800	2.771	4	CPCD20-35

WIDE VIEW MAST																												
Mast model	Max. fork height mm	Capacity at 500mm; Load center (kg)														Overall Mast Height (mm)				Tilting Angle		Service Weight (kg)						
		CPD10	CPD15	CPD18	CPD20	CPD25	CPD30	CPD35	CPD35	CPD35	CPD35	CPD35	CPD35	CPD35	CPD35	1-1.8t	2-2.5t	3t	3.5t	1-1.8t	2-3.5t	CPD10	CPD15	CPD18	CPD20	CPD25	CPD30	CPD35
M300	2000	1000	1500	1750	2000	2500	3000	3500	1465	1500	1620	1680	1745	1780	1820	1930	5-10	6-12	2240	2700	2910	3400	3720	4320	4620			

NOTE: 1-1.8T(1)Front wheel is dual wheels load capacity.
(2)Max lifting without lift-bracket-370mm.
2-3.5T(1)Dual wheels weight+110kg.
(2)Front wheel is dual wheels load capacity.

WIDE VIEW FULL FREE 2-STAGE MAST																														
Mast model	Max. fork height mm	Capacity at 500mm; Load center (kg)														Overall Mast Height (mm)				Free Lift (with Backset)		Tilting Angle		Service Weight (kg)						
		CPD10	CPD15	CPD18	CPD20	CPD25	CPD30	CPD35	CPD35	CPD35	CPD35	CPD35	CPD35	CPD35	CPD35	1-1.8t	2-2.5t	3t	3.5t	1-1.8t	2-3.5t	CPD10	CPD15	CPD18	CPD20	CPD25	CPD30	CPD35		
ZH200	2000	1000	1500	1750	2000	2500	3000	3500	1465	1500	1670	1680	1745	1780	1820	1930	470	460	380	500	6-10	6-12	2255	2725	2945	3440	3760	4370	4670	

NOTE: 1-1.8T(1)Max lifting without lift-bracket-370mm.
(2)Free lifting height without bracket +370mm.
(3)Front wheel is dual wheels load capacity.
2-3.5T(1)Free lifting height without bracket +397mm.
3t Free lifting height without bracket +490mm.
3.5t Free lifting height without bracket +412mm.
(2)Dual wheels weight+110kg.
(3)Front wheel is dual wheels load capacity.

WIDE VIEW FULL FREE 3-STAGE MAST																														
Mast model	Max. fork height mm	Capacity at 500mm; Load center (kg)														Overall Mast Height (mm)				Free Lift (with Backset)		Tilting Angle		Service Weight (kg)						
		CPD10	CPD15	CPD18	CPD20	CPD25	CPD30	CPD35	CPD35	CPD35	CPD35	CPD35	CPD35	CPD35	CPD35	1-1.8t	2-2.5t	3t	3.5t	1-1.8t	2-3.5t	CPD10	CPD15	CPD18	CPD20	CPD25	CPD30	CPD35		
23A900	3000	1000	1400	1750	2000	2400	2900	3300	1790	1795	1930	1930	1930	1930	1930	1930	770	785	740	745	5-6	6-4	2395	2965	3065	3640	3960	4550	5150	

NOTE: 1-1.8T(1)Max lifting without lift-bracket-370mm.
(2)Free lifting height without bracket +370mm.
(3)Front wheel is dual wheels load capacity.
2-3.5T(1)Free lifting height without bracket +397mm.
3t Free lifting height without bracket +490mm.
3.5t Free lifting height without bracket +412mm.
(2)Dual wheels weight+110kg.
(3)Front wheel is dual wheels load capacity.