

**2-3.5ton**  
**GII SERIES INTERNAL COMBUSTION  
COUNTERBALANCED FORKLIFT TRUCK**

- > With flexible connected transmission box and V type engine support, the truck vibration is sharply reduced. Transmission box with hydraulic pump PTO port solves the problem caused by engine having no hydraulic pump PTO port.
- > Sunken mast and moving down of the tilting cylinder based on G series increase tilting cylinder arm force, reduce tilting cylinder tension force and pressure and thus reduce hydraulic system fault rate.
- > Reduced angle of front floor board from 25° to 15° enlarges foot space, improves operation comfort and reduces leg fatigue.
- > Ratchet parking brake offers different brake force on slope and flat ground and thus improves reliability.
- > Aluminum plate-fin type radiator and hot air reflow plate with better cooling ability and reliability are used to improve cooling system efficiency sharply and prolong engine working time under high intensive and harsh working condition.
- > Steering wheel with small diameter and fully hydraulic powered steering mechanism effectively reduce operator fatigue.
- > Powerful and environment-friendly engine meeting international emission standard is assembled on the truck.

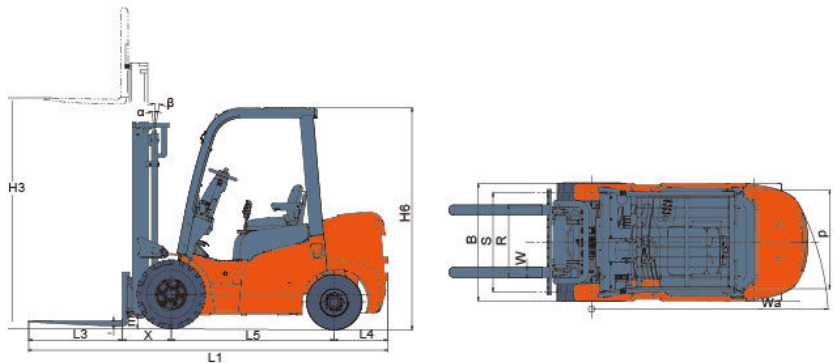
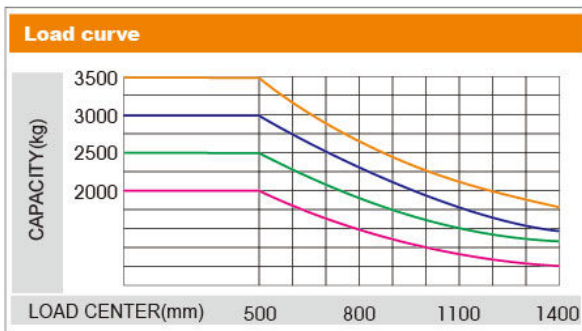


# GII SERIES INTERNAL COMBUSTION COUNTERBALANCED FORKLIFT TRUCK **2-3.5 ton**

Characteristic		HELI					
1.01	manufacturer	HELI					
1.02	Model	CPCD20-WSG2	CPCD25-WSG2	CPCD30-WSG2	CPCD35-WSG2		
1.03	Load Capacity	kg	2000	2500	3000	3500	
1.04	Load Centre	mm	500				
1.05	Power Type	Diesel					
1.06	Driving style	Seated					
Tire							
2.01	Front Tire	7.00-12-12PR		28×9-15-12PR	28×9-15-14PR		
2.02	Rear Tire	6.00-9-10PR		6.50-10-10PR	6.50-10-10PR		
Dimension Parameter							
3.01	Lifting Height(standard)	H	mm	3000			
3.02	Mast Tilt(fwd/bwd)	α/β	deg	6/10			
3.03	Min. Turning Radius	Wa	mm	2180	2250	2400	2440
3.04	Overall Length(with Forks)	L	mm	3450	3675	3770	3840
3.05	Overall Width	W1	mm	1150		1225	
3.06	Overall Height(mast without activity)	H4	mm	2140		2170	
3.07	Wheel Base	L1	mm	1600		1700	
3.08	Tread(fwd/bwd)	W3/W4	mm	970/970		1000/970	
3.09	Overhang(fwd/bwd)	L2/L4	mm	480/450	480/525	475/545	485/585
3.10	Min. Under clearance	H5	mm	110		140	
3.11	Lateral Fork Adjustment(Outside of Forks)	W5	mm	245/1020		250/1065	300/1090
3.12	Fork Length	L3	mm	920	1070	1070	
3.13	Fork Width/Thickness	W/T	mm	122/40	125/45		125/50
Performance Parameter							
4.01	Lifting Speed(Loaded)	mm/s	580		460		
4.02	Lowing Speed(Loaded)	mm/s	440		380		
4.03	Traveling Speed(Loaded/Unloaded/Unloaded)	km/h	17/19		19/20	18/19	
4.04	Max. Gradeability	%	20/20		15/20	15/15	
Engine and Gearbox							
5.01	Engine Manufacturer/Model	ISUZU C240PKJ-30					
5.02	Cyl. Number/Displacement	/L	4/2.369				
5.03	Rated Power/Rated Speed	Kw/rpm	35.4/2500				
5.04	Max. Torque/Rated Speed	Nm/rpm	139.9/1800				
5.05	Gearbox	Special gearbox for HELI					

Engine Model and Main Specification for Option				
Internal Combustion Engine Model	Internal Combustion Engine Rate horse power (KW/rpm)	Internal Combustion Engine Rate torque (Nm/rpm)	Internal Combustion Engine Isplacement (L)	Internal Combustion Engine Number of Clinder
GM3.0	50/2700	203/1600	3	4

CPCD35 CPCD30 CPCD25 CPCD20



## ANHUI HELI CO., LTD.

ADD:NO.668 Fangxing Street,Economical Development Zone,Hefei,P.R.China  
 TEL : (86 551)63639068,63639258,63639358,63662105  
 FAX : (86 551)63639966  
 WEBSITE : http://www.helichina.net

\* Details of specifications and equipment are based on information available at time of printing and may change without notice.

AUTHORIZED DEALER