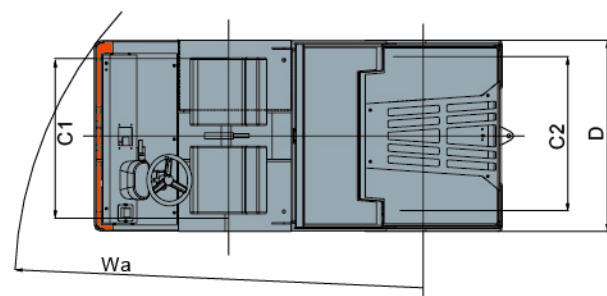
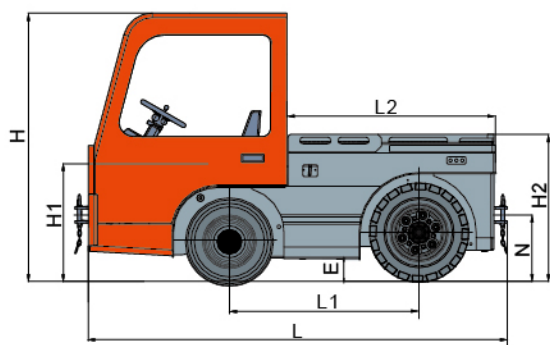


# G 系列 / SERIES 8-15t



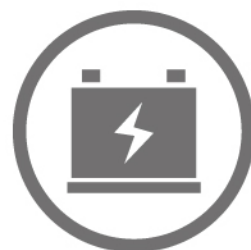
## 充电技术 Charger technology



- > 高效: 大于95%充电效率, 符合节能减排要求。
- > 快速: 最快2小时可完成100%全充电。
- > 兼容: 48V/80V兼容, 满足不同电压等级需求。
- > 安全: 内置防反保护, 具备失效自隔离功能;
- > 完善的故障自检测提示, 方便客户维护。

- > 可靠的专业仪表将整车运行状态、故障检测等重要信息完整的显示出来, 使操作者更直观、方便地了解车辆状态。

Truck working condition can be known directly and easily through reliable meter displaying important information such as truck working condition, fault and so on.



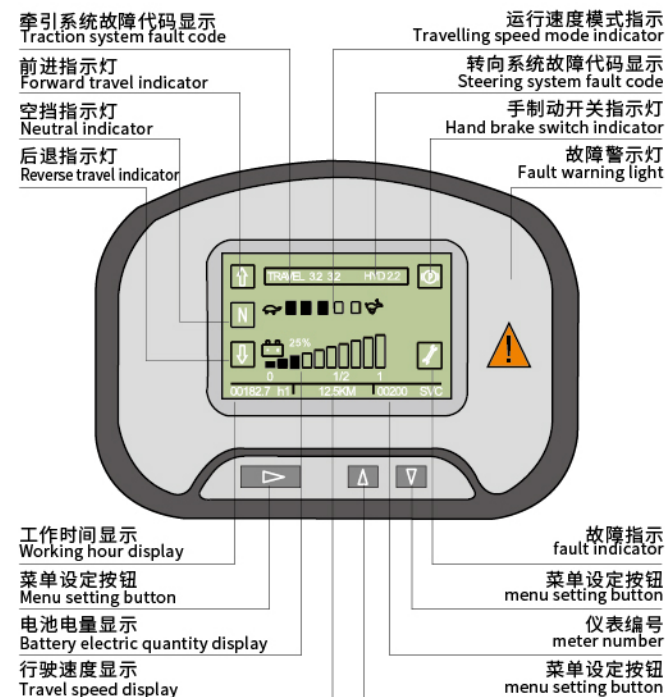
## 能量再生技术 RENEWABLE ENERGY TECHNOLOGIES

交流控制能量再生技术, 使电动牵引车更节能, 蓄电池单作业循环时间最大延长15%。  
With AC type energy regeneration technology, the working hour of single battery shift is 15% increased.



## CURTIS ENGAGE IV 交互式多功能液晶仪表

CURTIS ENGAGE IV  
Interactive multifunctional liquid crystal meter



## 技术参数 Technical parameters

项目 Item	单位 Unit	QYD80-J1Li	QYD100-J1Li	QYD120-J1Li	QYD150-J1Li
1 车型 Model		QYD80-J1Li	QYD100-J1Li	QYD120-J1Li	QYD150-J1Li
2 驾驶方式 Driving mode		座驾式 Seated			
3 额定牵引重量 Rated towing weight	kg	8000	10000	12000	15000
4 自重 Service weight	kg	2540	2540	2540	2790
5 额定牵引力 Rated traction force	N	3200	3200	3200	4000
6 最大牵引力 Max. traction force	N	9500	9700	10000	13000
7 行驶速度 (满载/空载) Travelling speed (unloaded/loaded)	km/h	12/18	11/18	10/18	10/16
8 爬坡能力 (满载/空载) Gradeability (unloaded/loaded)	%	10/20	8/20	6/20	5/20
9 外形尺寸: 长x宽x高 Overall dimension: LxWxH	mm	2950x1300x1820			
10 轴距 Wheelbase	mm	1280			
11 轮距 Tread	前 Front	1110			
	后 Rear	1070			
12 最小转弯半径 Min. steering radius	mm	2800			
13 最小离地间隙 Min. ground clearance	mm	130			
14 前悬 Front overhang	mm	920			
15 后悬 Rear overhang	mm	620			
16 牵引挂钩高度 Traction hook height	mm	350/450			
17 轮胎 Tyre	前 Front	6.50-10-10PR			
	后 Rear	7.00-12-12PR			
18 行车制动 Service brake		液压制动和电制动 Hydraulic brake & electric brake			
19 驻车制动 Parking brake		机械制动 Mechanical brake			
20 驱动方式 Driving type		后轮驱动 Rear drive			
21 驱动电机功率 Driving motor power	kW	12(AC) 16.6(AC)			
22 转向电机功率 Steering motor power	kW	1.35 (DC)			
23 电池电压/容量 Battery voltage/capacity	V/Ah	48/404 80/404			
24 电池重量 Battery weight	kg	320 400			
25 行驶控制方式 Driving control mode		电子无级式 Electronic stepless mode			
26 驾驶员耳边噪音 Operator's ear noise	dB	<70			

## 标准配置 Standard configuration 选用配置 Optional configuration 锂电池选项 Lithium battery options

全封闭驾驶室 Enclosed cab	前牵引座 Front traction base	闪光警示灯 Emergency power	48V/400Ah (中盐 CNSG HONG SIFANG) (QYD80/100-J1Li)
充气胎 pneumatic tyre	实心胎 Solid tire	四轮制动 Rotating warming light	48V/500Ah (中盐 CNSG HONG SIFANG) (QYD120-J1Li)
液晶仪表 Liquid crystal meter	紧急断电开关 Emergency power	80V/500Ah (15吨选配) Customized painting	80V/400Ah (中盐 CNSG HONG SIFANG) (QYD150-J1Li)
随车工具 Driver's tool	旋转式警示灯 Rotating warming light		80V/500Ah (中盐 CNSG HONG SIFANG) (QYD150-J1Li)
牵引销 Pin	自选涂装 Customized painting		
两轮制动 Two wheel braking	格拉默座椅 Front traction base		
	无痕迹实心胎 Solid tire		



安徽合力股份有限公司  
ANHUI HELI CO., LTD.  
地址 / 中国合肥方兴大道668号  
Add / No.668, FangXing Road, Hefei, China  
邮编 (Post Code) / 230000

客服热线 (Customer Service Hotline) / 4001-600761  
服务电话 (Service Tel) / +86-551-63689667, 63689674, 63689676  
邮箱 (Web site) / heli@qc.helichina.com

\* 本公司保留更改产品设计和规格的权利, 恕不另行通知。  
\* Our products are subject to improvements and changes without notice.



# HELI合力

# 8-15t

## G系列锂电池牵引车

G series lithium battery tractor



www.helichina.com





» 整车简介  
Brief introduction

**G系列8-15吨锂电池牵引车**是合力倾力打造的新一代新能源环保型牵引车辆，造型新颖，性能可靠，按照人机工程学原理来满足驾驶员乘坐、操作空间、环保性等一系列舒适性方面的要求。该车型系四轮支承，前轮转向、后轮驱动，以锂电池组提供动力，全液压力制动技术，制动轻便、可靠，采用进口交流电控装置进行无级调速的电动牵引车。具有低噪音、牵引力大、操作简便、转向轻便灵活等特点。

**G series 8-15t lithium battery tractor** which has popular appearance and reliable performance is a new generation of environment friendly tractor designed by HELI. With ergonomic design principle, driving comforts in sitting, operation space and environmental protection are ensured. The four-wheel truck is powered by lithium battery. The steering wheel is front wheel and the drive wheel is rear wheel. With fully hydraulic-powered brake technology, the brake is easy and reliable. Imported CURTIS controller with stepless speed regulation is assembled on the truck. The truck has low noise, powerful traction force, easy operation and flexible steering.

锂电池优势 Lithium battery advantages

合力锂电池牵引车的优越性，更突出地体现在生命周期内使用成本上。与铅酸蓄电池牵引车相比，锂电池牵引车适合多班次场合，隐形成本低，整体运营成本更经济。

The superiority of HELI lithium battery tractor is embodied in the used-cost within product lifecycle. Compared with lead-acid battery tractor, HELI lithium battery tractor is more convenient for multiple working shifts. It has lower implicit cost and more economical total running cost.

绿色环保 Environment Friendliness

- 零排放
- 低噪音
- 不含重金属
- 无滴漏腐蚀
- 无酸雾挥发
- Zero emission
- Low noise
- Free of heavy metals
- No corrosion
- No acid mist volatilization

免维护 Maintenance Free

- 无需补液、防尘
- 免日常维护
- 免人工保养
- Unnecessary of fluid adding and dust proofing
- Daily maintenance free
- Manual maintenance free

使用寿命长 Long Service Life

- 循环使用4000次容量保持75%以上
- 同等应用场合，寿命远超铅酸电池
- 高性能锂电总成5年或一万小时超长质保
- Over 75% capacity reserved after 4000 shifts operation
- Longer service life than lead-acid battery in equal working condition
- 5 years or ten thousand hours quality guarantee for high performance lithium battery assembly

适合高低温工作 Suitable for working in both high and low environment

- 在-25°C至55°C之间高低温工作环境，锂电池较铅酸均具有良好的性能
- Lithium battery is better than lead-acid battery when working between -25°C and 55°C

高效节能 High Efficiency and Energy Saving

- 2小时充电可满足6-8小时作业使用
- 高能量密度，自放电率1%/月以下，充放电性能优越
- 95%能量转换率，能源转换更高效
- 可随时充电，操作简单，对电池寿命无任何影响
- 电池无需更换，节省成本

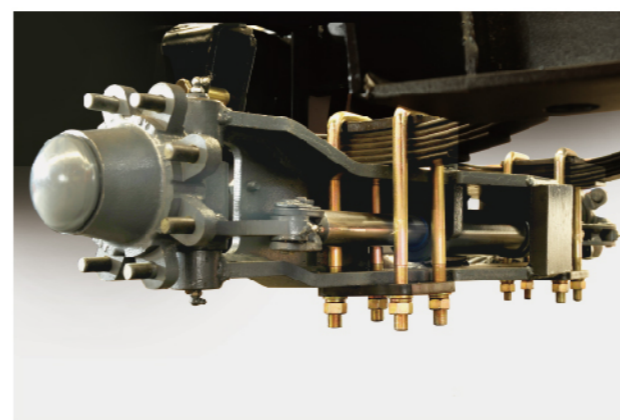
- 2 hours charging meet 6-8 hours working demand
- High-energy density, self discharging rate lower than 1% per month
- 95% energy conversion rate, superior charging and discharging performance
- Flexible to charge, easy to operate, no impact on battery life
- Unnecessary to change battery, cost saving

驱动系统 Drive system

- 交流电动牵引车专用驱动桥，噪音小、速比大、无污染、运行平稳、密封性能好。同时具有较大的离地间隙，保证本车具有良好的通过性
- Special drive axle for AC type electric tractor is assembled to ensure low noise, large speed ratio, no pollution, stable travelling and good sealing condition. With large underclearance, good passing ability is ensured.

电气系统 Electric system

- 采用了目前最先进的进口交流斩波器、CAN总线通讯，闭环控制方式，具有高效率、低发热和高安全性，驱动电路简单、斩波频率高，保证本车系统电流平稳、减少电机和电瓶发热，大大提高整车的可靠性
- 性能优良的数字仪表实现运行时间累加计时、蓄电池电量监测、行驶速度显示、故障代码显示等功能
- The most advanced imported AC type chopper, CAN bus communication and closed-loop control mode offer the truck high efficiency, low heat, high safety, simple drive electric circuit, high chopper frequency. And the stable system current is ensured, the heat generated by motor and battery is reduced and reliability is greatly improved.
- Working hour, battery electric quantity, travelling speed and fault code are shown through excellent meters.



更加优越的智能化设计 Superior intellectualized design

- 更多智能化设计的装备与功能使整车智能，这不仅保护驾驶者和整车安全，还提高工作效率，降低了能耗
- Superior intellectualized designs not only ensure operator and truck safety but also improve working efficiency, reduce energy consumption.



转向系统 Steering system

- 采用全液压横置油缸转向桥实现前轮转向，该转向系统具有效率高、操纵轻便、使用寿命长等特点，使转向灵活、轻便
- With fully hydraulic powered horizontal cylinder steering axle, the steering is flexible and easy. The steering system has high efficiency, easy operation and long service life.

动力制动系统 Brake system

- 采用全液压力制动技术，制动轻便、可靠
- Fully hydraulic powered brake technology offers easy and reliable brake.

操纵系统 Operating system

- 合理的制动踏板、加速踏板的角度及位置，轻巧的踏板力，充分满足人机工程要求
- 采用可调式方向盘，方向盘的位置可前后调节，以适应不同体型驾驶员操纵的要求
- 具有良好的冷态制动效能，产生足够的制动力，使行车制动和驻车制动符合国家强制性性能标准
- 装有点动按钮操作装置，能实现车辆的前进、后退微动，安全、准确地完成牵引车与拖车的连接
- Proper angle and position of braking pedal and acceleration pedal and slight pedal force fully satisfy ergonomic requirements.
- Adjustable steering wheel fits different operator's size.
- With good brake effect in cold condition and enough brake force, national mandatory performance standards in service brake and parking brake are satisfied.
- With inching button, safe and precise connection between the tractor and trailer is ensured through inching forward or backward.

